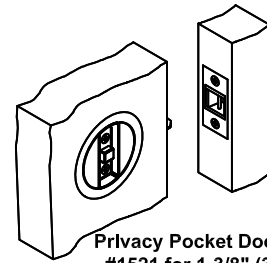




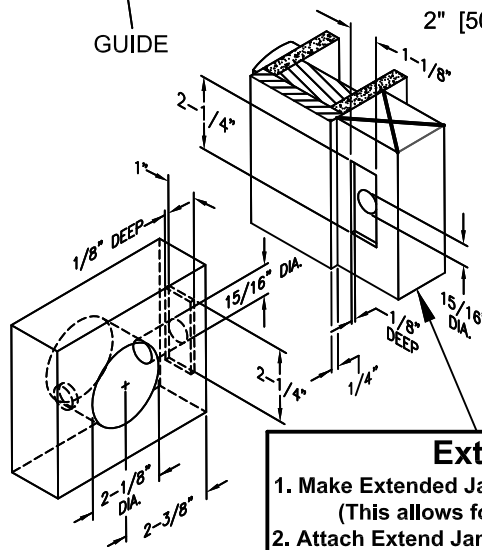
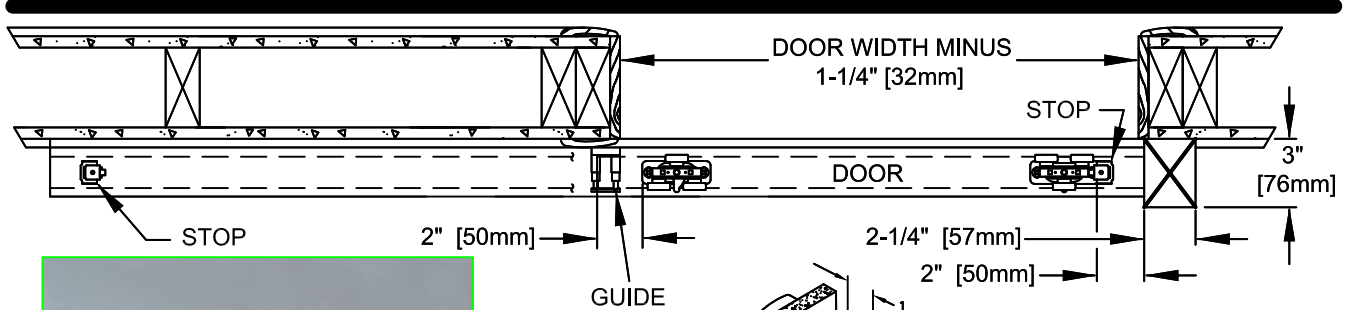
www.johnsonhardware.com

INSTRUCTIONS

OPTIONAL EXTENDED JAMB LATCH INSTRUCTIONS



Privacy Pocket Door Lock
#1521 for 1-3/8" (35mm)
#1534 for 1-3/4" (45mm)



Extended Jamb
1. Make Extended Jamb, 3" X 2-1/4" X Height of Track.
(This allows for 3/4" casing and baseboard.)
2. Attach Extend Jamb to wall 1/4" from opening edge.

Important: Do Not Remove Screws from Locating Blocks on Plate.

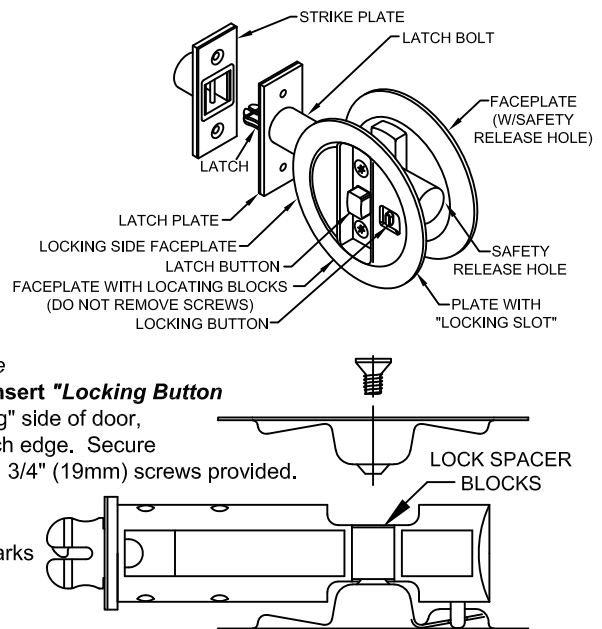
1 MARK DOOR for 2-1/8" (54mm) bore on face of door, and 15/16" (24mm) bore on edge of door approximately 36" (1.4m) above floor. **NOTE: LOCK WILL FIT AND FUNCTION PROPERLY IN EITHER 15/16" (24mm) OR 1" (25.4mm) BORE FOR LATCH BOLT.**

2 BORE 2-1/8" (54mm) hole in door face (Boring from both sides of door to prevent splitting). Bore 15/16" (24mm) hole in door edge 3-5/8" (92mm) deep. (Make sure 15/16" (24mm) mark is center of door edge). Mark and mortise for latch 1/8" (3mm) deep.

3 REMOVE STRIKE plate from lock by depressing latch release.

4 INSTALL LATCH bolt by depressing nylon locking button on bolt to clear 15/16" (24mm) hole. **(DO NOT TWIST LOCK WHILE INSERTING INTO 15/16" (24mm) BORE.)** Be sure locking button is on locking side desired. **A) Place Plate with "Locking Slot" and "Lock Space Blocks"** on lock button side into the 2-1/8" (54mm) bore. **(1-3/4" Door: Insert "Locking Button Extension" into "Locking slot".)** Place other face plate on "non-locking" side of door, making sure "Safety Release Hole" is toward rear of door, away from latch edge. Secure with 1/4" (6.4mm) screws provided. **B) Fasten latch plate** in mortise with 3/4" (19mm) screws provided.

5 INSTALL STRIKE, Slide pocket door closed, hitting jamb to mark location. Drill 15/16" (24mm) hole 1" (25mm) deep in center of marks made by latch. Place strike plate in 15/16" (24mm) hole, making sure plate is plumb with jamb, then mark mortise, 1/8" (3mm) deep. Secure with 3/4" (19mm) screws provided.





www.johnsonhardware.com

INSTRUCTIONS

2610F SERIES VALANCE & JAMB PROFILE

