



www.johnsonhardware.com

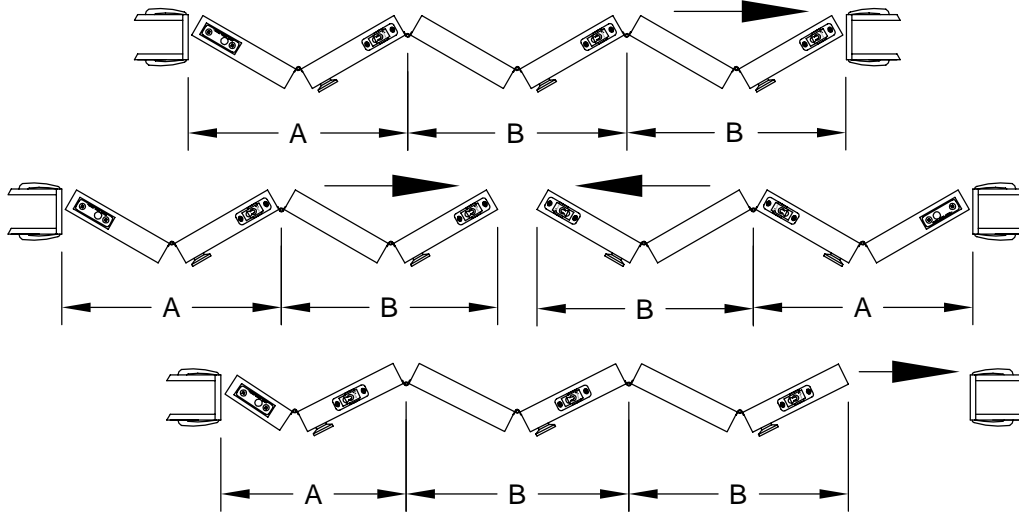
INSTRUCTIONS

1700RD SERIES ROOM DIVIDER HARDWARE

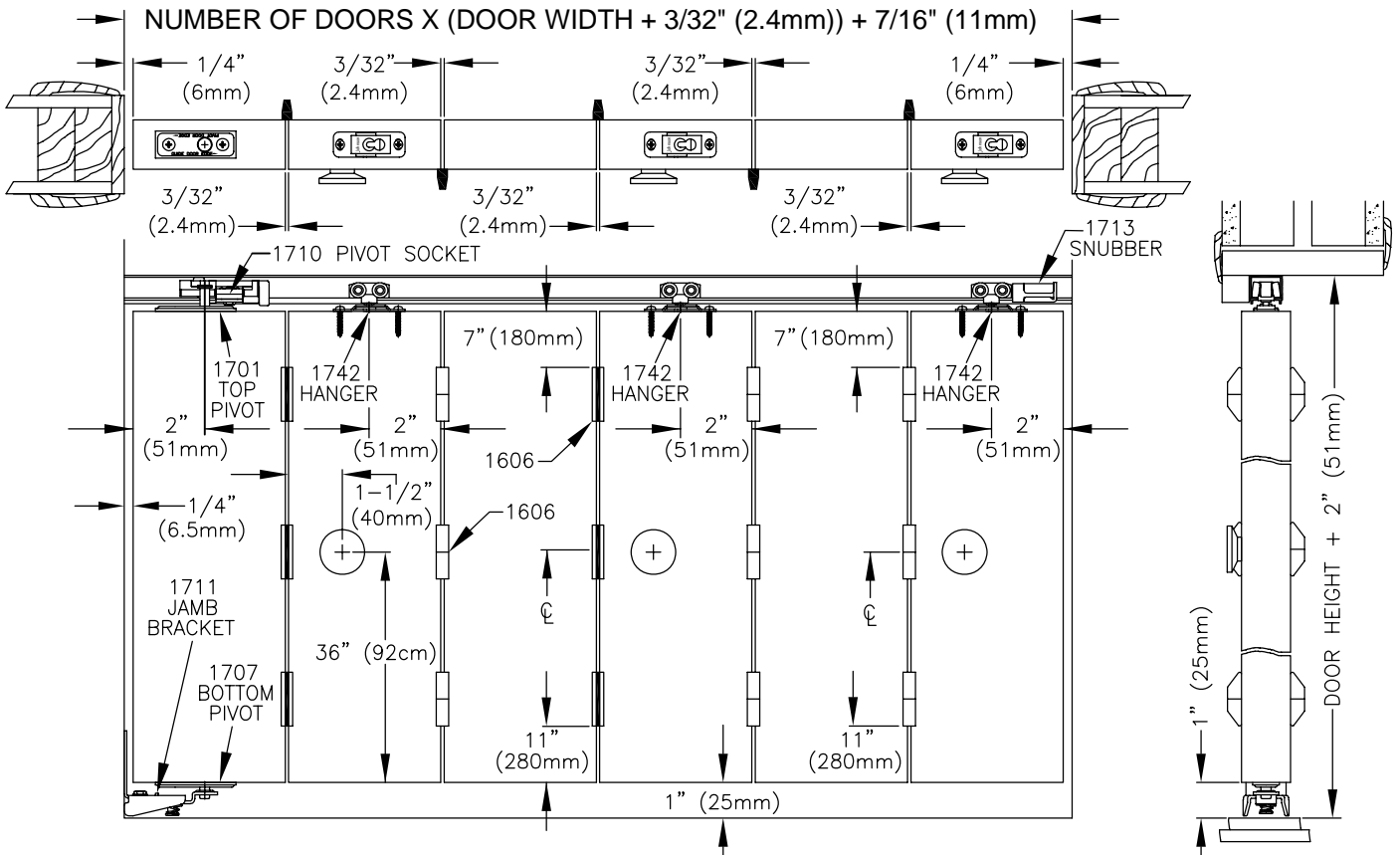
For 1" (25.4mm) or 1-3/8" (35mm) Doors weighing up to 15 lbs. (6.8kg) each. 9" (228mm)-18" (457mm) wide panels up to 6/8 (2032mm) tall. Maximum 6 panels one way.

HARDWARE REQUIRED FOR INSTALLATION

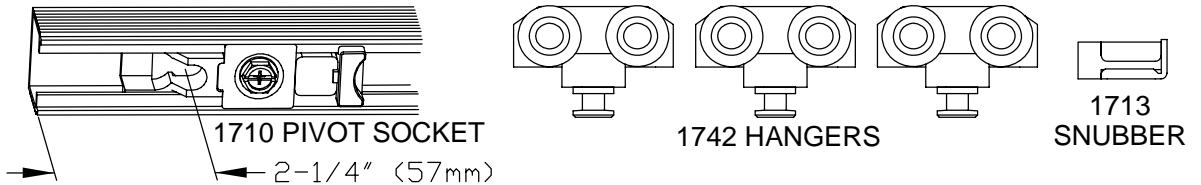
- SET A - FIRST 2 DOORS** - 1 PIVOT SET (1701-1707, 1710 & 1711)
 1-1742 HANGER, 3-1606 HINGES, 1-33 KNOB, 1-1713 STOP
SET B - EACH PAIR OF DOORS THEREAFTER
 1-1742 HANGER, 6-1606 HINGES, 1-33 KNOB



FINISH OPENING EQUALS

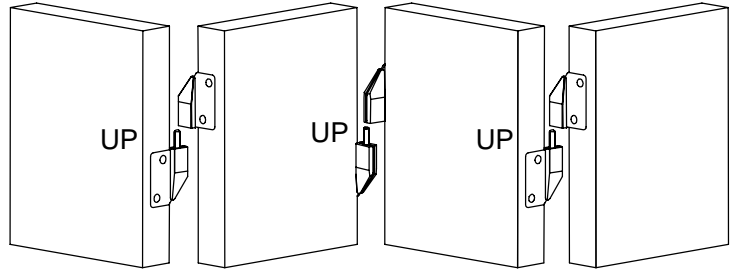


- 1 CUT TRACK TO LENGTH.** Insert pivots, hangers and snubber as required. Fasten track to center of top header. Locate 1710 Pivot Socket in proper position and fasten in place. Unlock pivot socket by moving lock tab away from jamb.



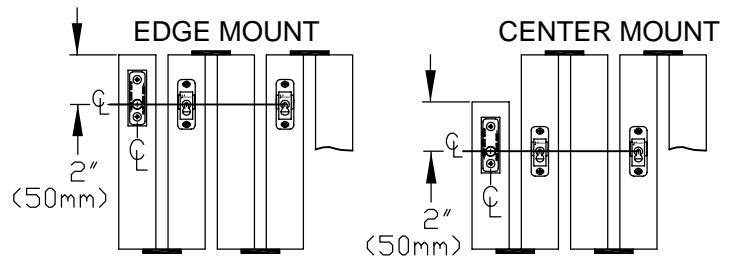
- 2 HINGES** should be located as specified 7" (180mm) from top and 11" (280mm) from bottom, center middle hinge between.

Hinge half with pin should always be on side of panel furthest from jamb with pin pointed up and on alternating sides of door as shown.



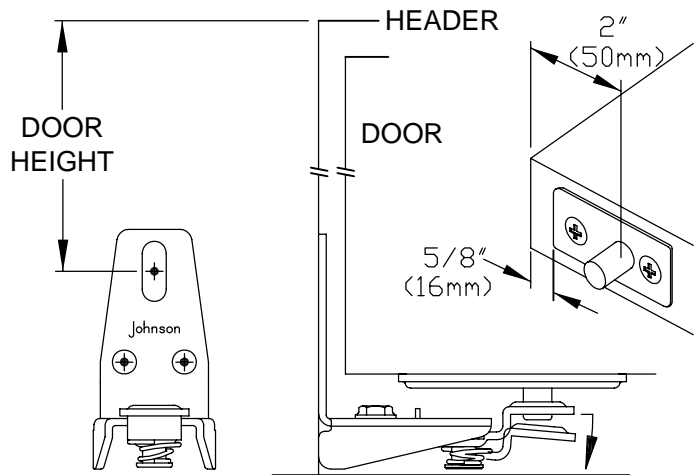
- 3 MARK A LINE** 2" (51mm) from jamb side of door edge for edge mounting of pivot points.

Use centerline of doors if mounting plates in center. Fasten with pan head screws furnished. Bottom pivot plate is located 5/8" (16mm) from edge of door (2" (51mm) to center of pivot).



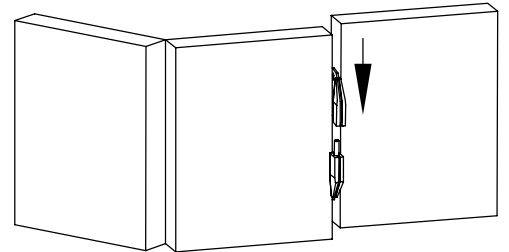
- 4 CLIP** first door into place on pivot. Plumb door to jamb. Place jamb bracket on bottom pivot and mark location on jamb. Swing door aside and fasten jamb bracket in place.

Depress pivot socket, align pivot pin over hole and lock door into place by releasing socket.



- 5 HANG** rest of doors by dropping door down over hinge in preceding panel. Clip hangers in place on respective doors.

The quickest way to align hinge pins is to butt edges of doors together which automatically aligns pins. Lower into place.



- 6 FIND** furthest travel of hangers. Move stop approximately 1/8" (3mm) closer to jamb or until desired location is reached. Tighten in place. Adjust pivots, if necessary, to achieve proper operation.

