

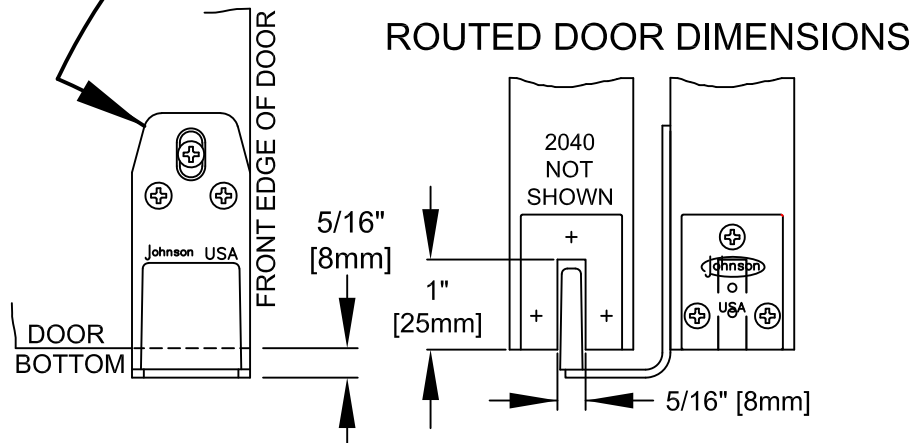
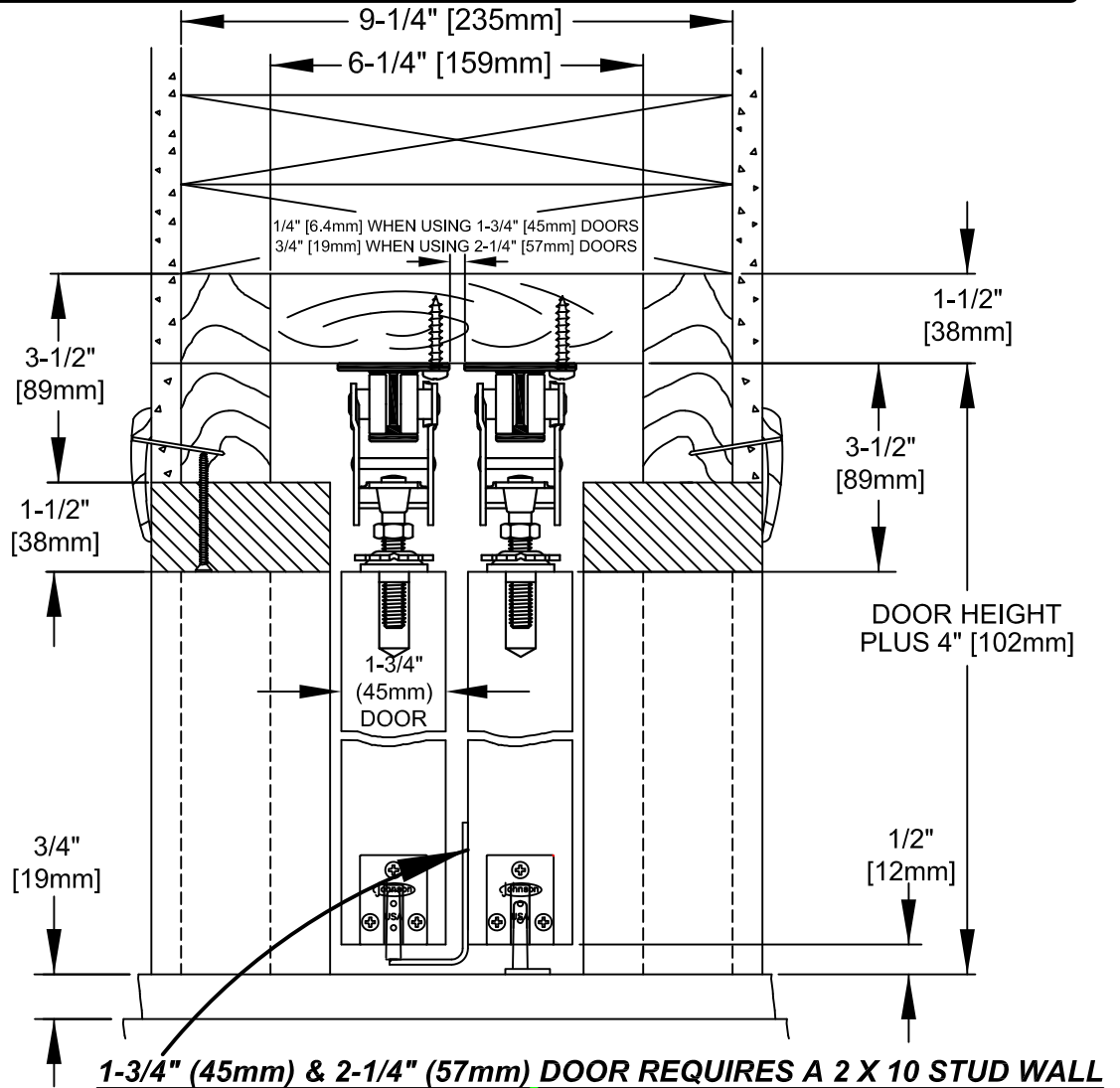


www.johnsonhardware.com

# INSTRUCTIONS

## BYPASS POCKET DOOR 200BP SERIES

SIDEMOUNT GUIDES  
2033 FOR 1-3/4" [45mm],  
2036 FOR 2-1/4" [57mm]  
DOOR THICKNESS



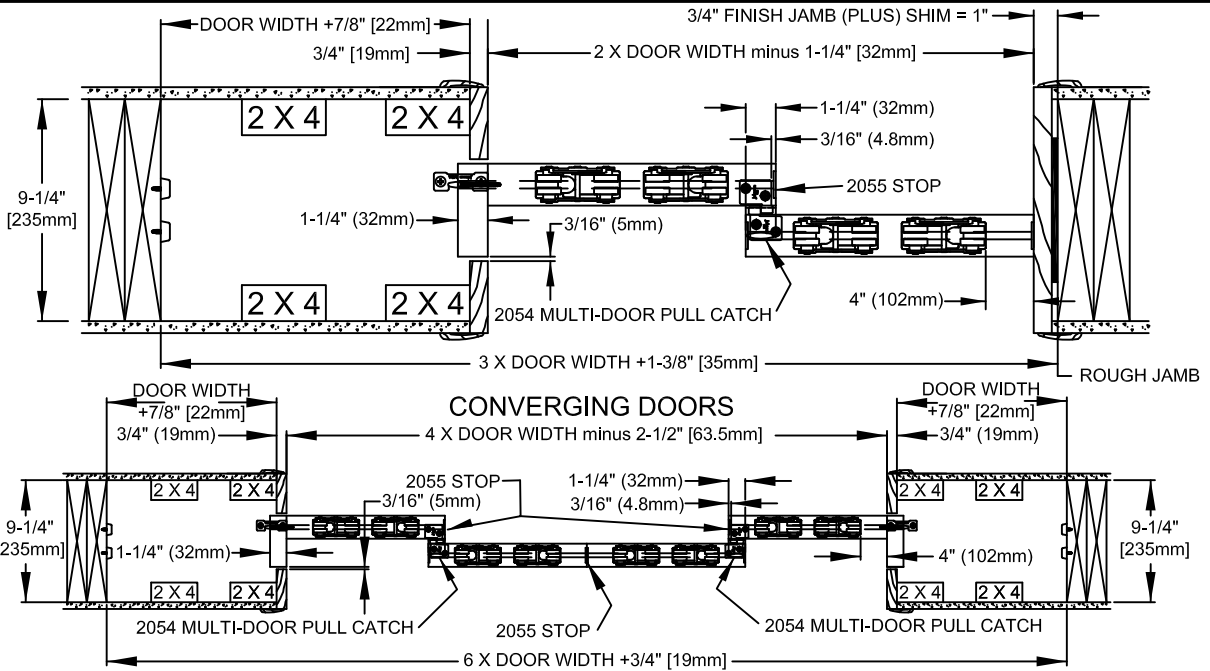


# INSTRUCTIONS

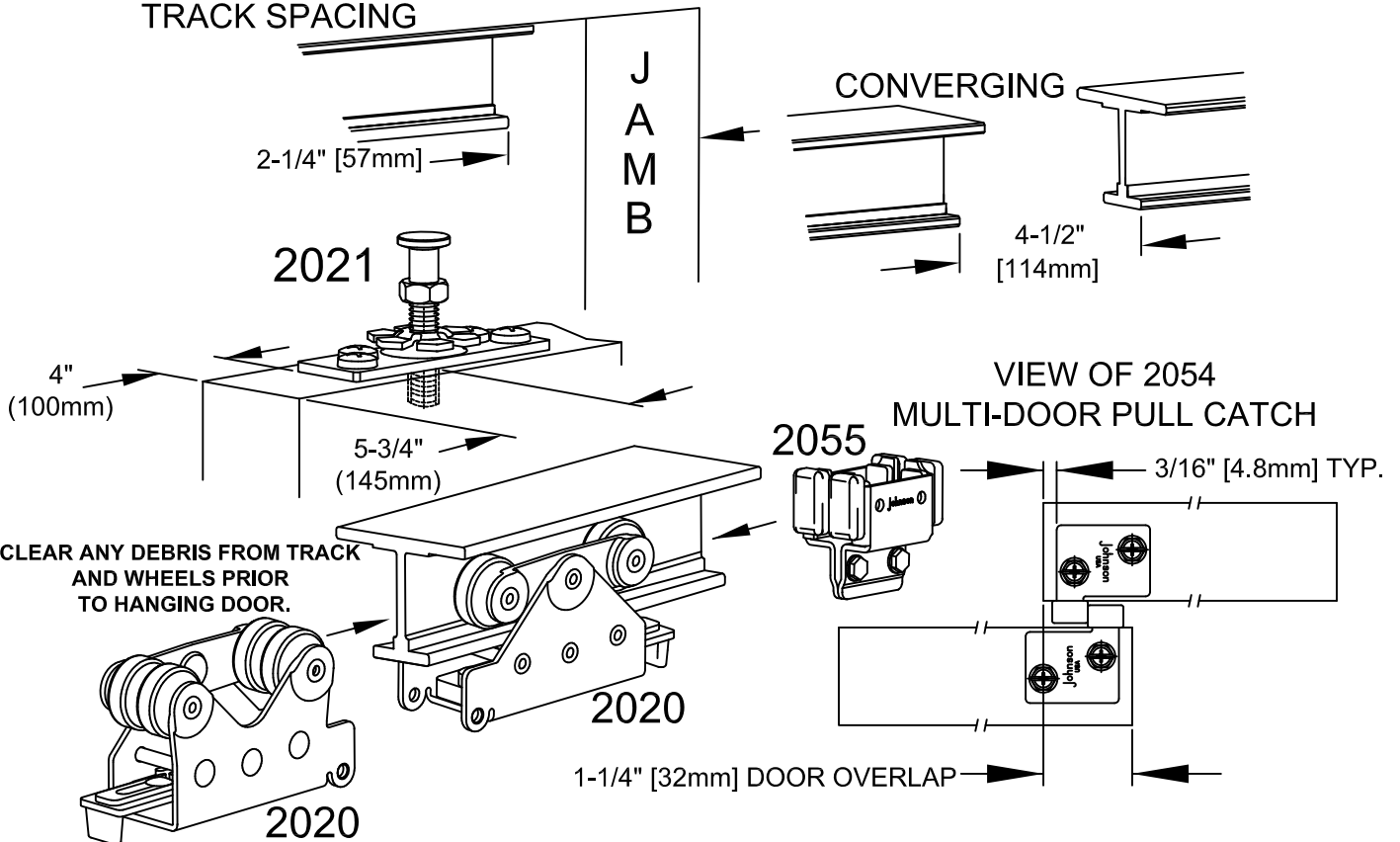
## BYPASS POCKET DOOR 200BP SERIES

SIDEMOUNT GUIDES  
2033 FOR 1-3/4" [45mm],  
2036 FOR 2-1/4" [57mm]  
DOOR THICKNESS

www.johnsonhardware.com



### TRACK SPACING



CLEAR ANY DEBRIS FROM TRACK AND WHEELS PRIOR TO HANGING DOOR.