

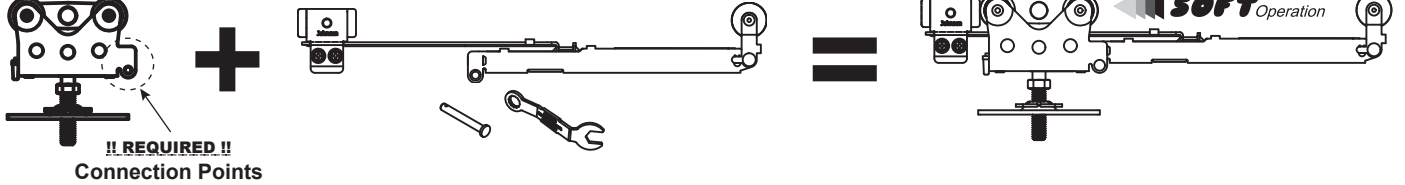
# INSTRUCTIONS

## 2066 SINGLE DIRECTION SOFT-CLOSE KIT FOR 200 SERIES POCKET DOOR HARDWARE

2020 Door Hanger  
NOT INCLUDED

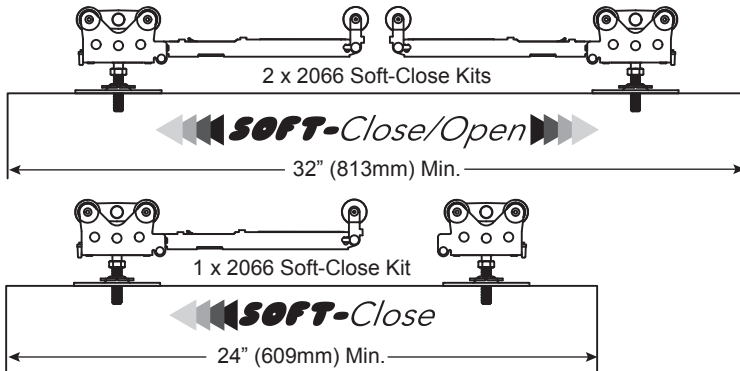
2066 Soft-Close Kit

200 Single Direction Soft Operation

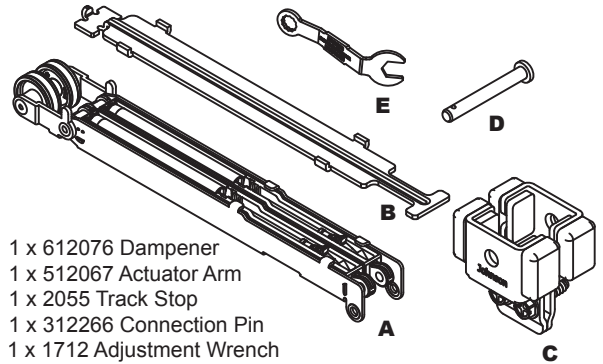


### Installation Requirements

330lbs. (150kg) max. per door



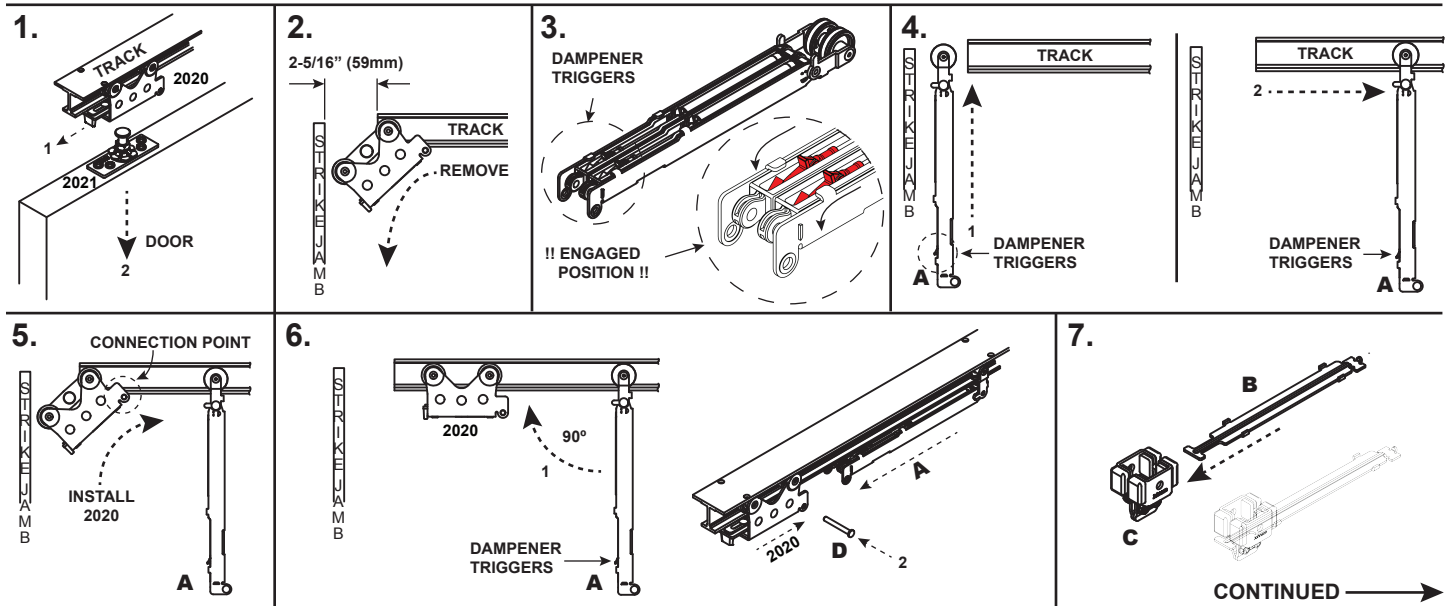
### Included Components



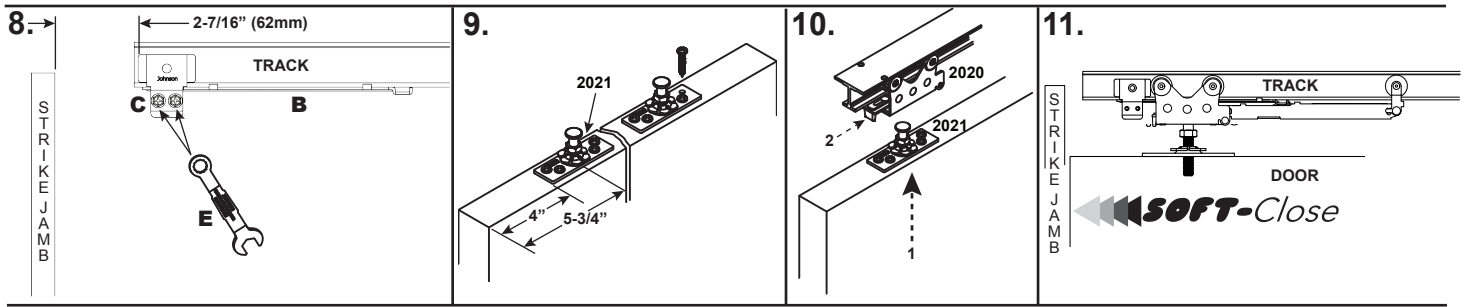
- (A) 1 x 612076 Dampener
- (B) 1 x 512067 Actuator Arm
- (C) 1 x 2055 Track Stop
- (D) 1 x 312266 Connection Pin
- (E) 1 x 1712 Adjustment Wrench

### Soft-Close Operation (door soft operates against strike jamb):

1. If door is already installed, disconnect 2020 hangers from 2021 door plates and remove door.
2. Remove 2020 hanger closest to strike jamb from track.
3. Set dampener triggers to engaged position **BEFORE** installing into track. **FAILURE TO FOLLOW THIS STEP CAN RESULT IN COMPONENT DAMAGE.**
4. Install dampener **A** into track(1), dampener triggers towards strike jamb then slide dampener towards center of track(2).
5. Reinstall 2020 hanger into track with connection points towards dampener **A**.
6. Connect 2020 hanger to dampener **A** with connection pin **D**.
7. Insert actuator arm **B** into track stop **C**.
8. Insert track stop **C** with actuator arm **B** into track and position 2-7/16" (62mm) from strike jamb. Tighten track stop **C** to track with adjustment wrench **E**.
9. Attach 2021 door plate 4" (102mm) from edge of door to edge of plate.
10. Reconnect 2020 Hanger to 2021 door plate. Installation complete.
11. Test operation.. Slowly close door, ensuring door contacts strike jamb. If not, slide door away and loosen track stop **C** screws and reposition until door contacts strike jamb. Once confirmed, begin using door normally.



CONTINUED →



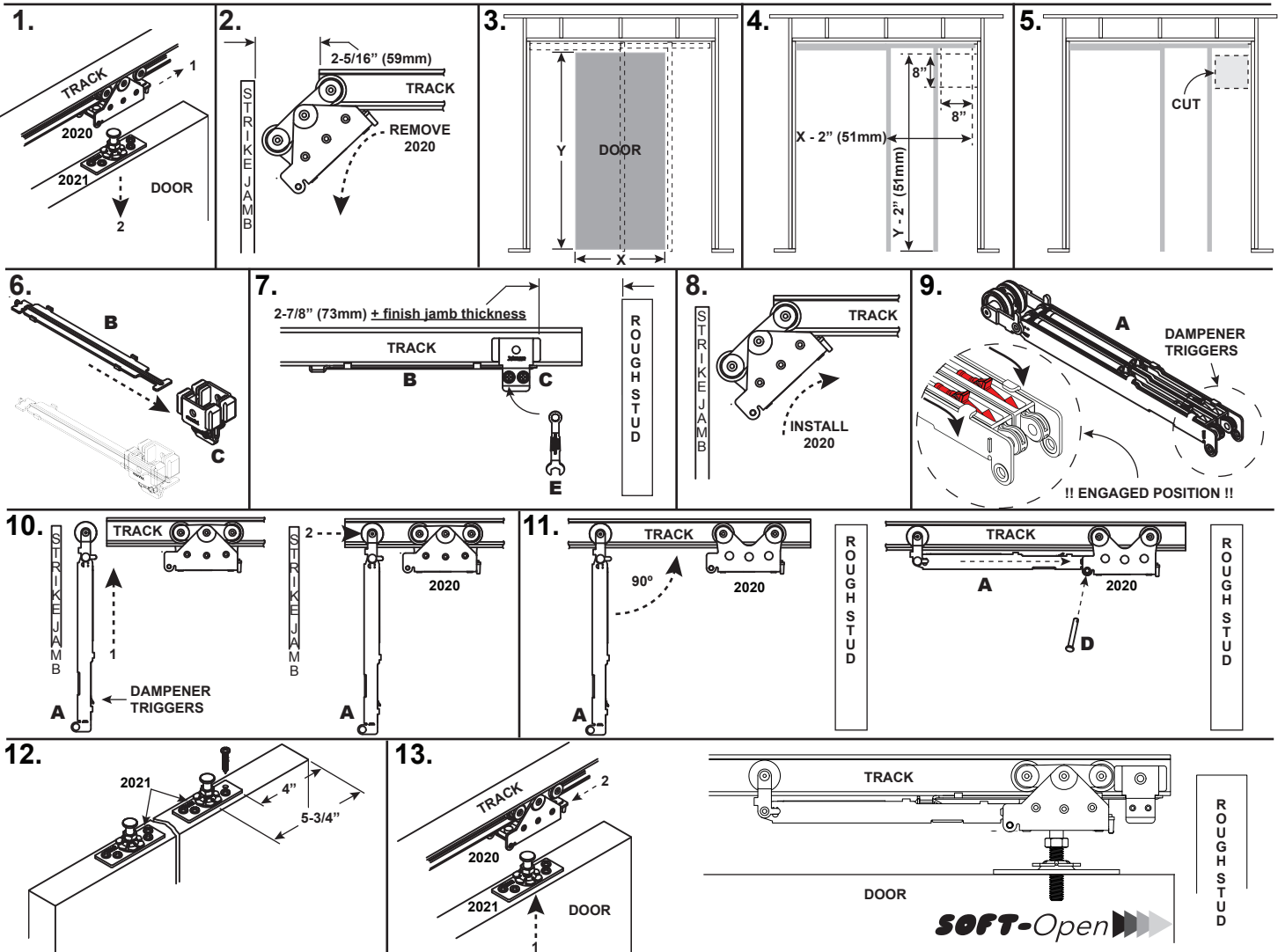
**Soft Open Operation** (door soft operates into pocket):

**Existing Installation** (skip steps 1 - 5 if new installation)

1. Disconnect 2020 door hangers from 2021 door plates(1) and remove door from pocket(2).
2. Remove 2020 hanger from track.
3. Measure door width and height
4. From pocket opening back, measure door width minus 2" (51mm), make vertical mark. From this mark measure 8" towards opening and make vertical mark. From finished floor, measure up door height minus 2" (51mm) and make horizontal mark, from this mark measure 8" down and make horizontal mark.
5. Cut square in wall to access track.

**New Installation**

6. Insert actuator arm **B** into track stop **C**.
7. Insert track stop **C** with actuator arm **B** into track and position 2-7/8" (73mm) + FINISH JAMB THICKNESS from rough stud then tighten track stop **C** to track with adjustment wrench **E**.
8. Reinstall 2020 hanger
9. Set dampener triggers to engaged position **BEFORE** installing into track. **FAILURE TO FOLLOW THIS STEP CAN RESULT IN COMPONENT DAMAGE.**
10. Insert dampener **A** into track(1), dampener triggers away from strike jamb and slide towards 2020 hanger(2).
11. Connect to 2020 hanger to dampener **A** with connection pin **D**.
12. Attach 2021 Door Plate 4" (102mm) from edge of door.
13. Connect 2020 hanger to 2021 door plate. Installation complete, test operation.



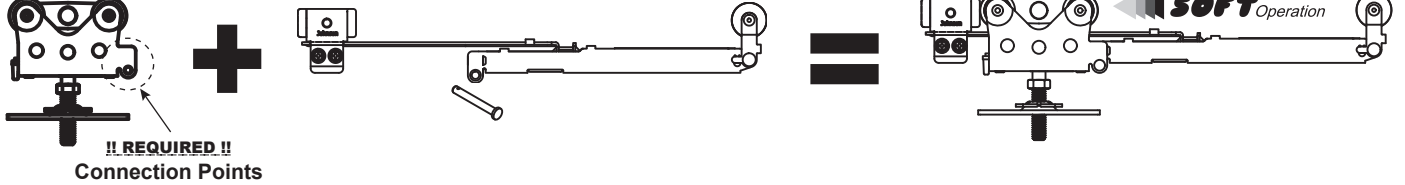
# INSTRUCTIONS

## 2066 SINGLE DIRECTION SOFT-CLOSE KIT FOR 200 SERIES SLIDING/WALL MOUNT DOOR HARDWARE

2020 Door Hanger  
**NOT INCLUDED**

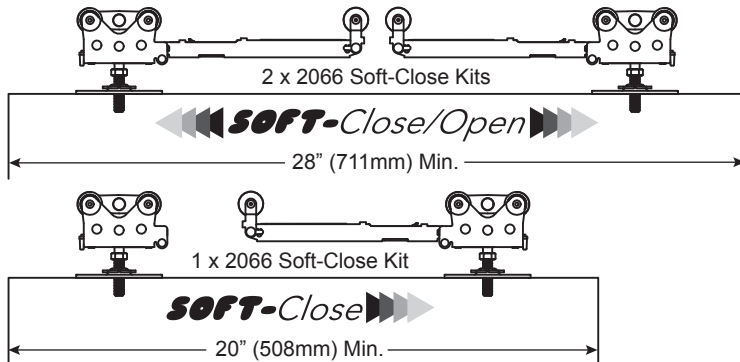
2066 Soft-Close Kit

200 Single Direction Soft Operation

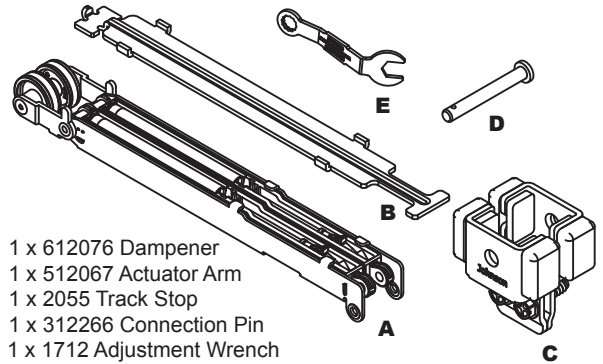


### Installation Requirements

330lbs. (150kg) max. per door

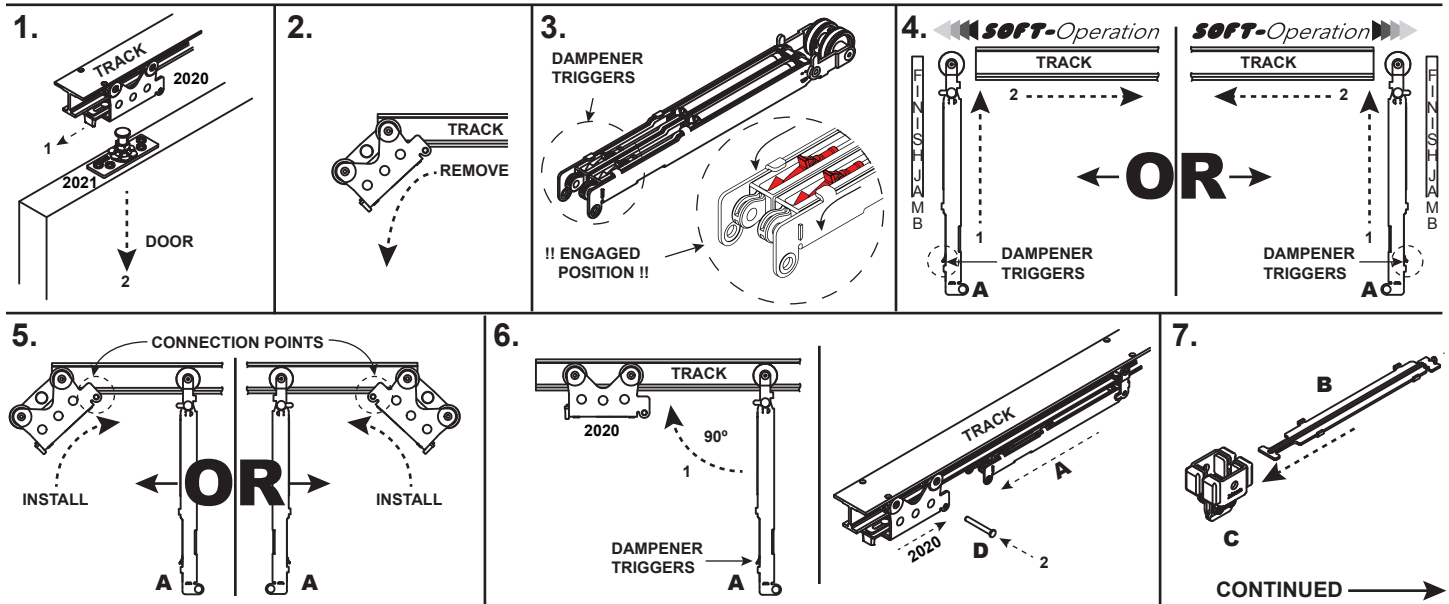


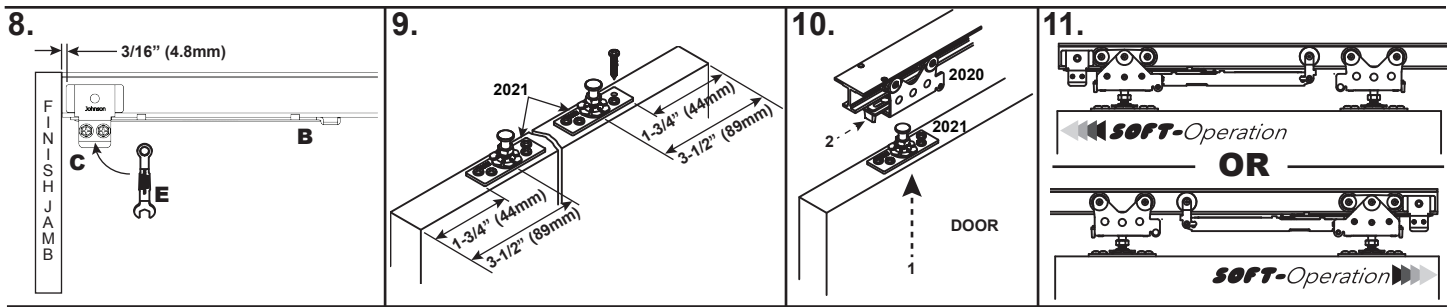
### Included Components



### Single direction Soft-Operation **SOFT-Operation OR SOFT-Operation** (door soft operates in a single direction):

- If track is already installed, disconnect 2020 hangers from 2021 door plates(1) and remove door(2).
- Remove 2020 hanger from track. If 2020 hangers cannot be removed through end of track, take track down.
- Set dampener triggers to engaged position **BEFORE** installing into track. **FAILURE TO FOLLOW THIS STEP CAN RESULT IN COMPONENT DAMAGE.**
- Install dampener **A** into track(1), dampener triggers towards finish jamb in desired soft operation direction then slide dampener towards center of track(2).
- Reinstall 2020 hangers into track with connection points towards dampener **A**.
- Connect 2020 hangers to dampeners **A** with connection pins **D**.
- Insert actuator arms **B** into track stops **C**.
- Insert track stops **C** with actuator arms **B** into track and position 3/16" (4.8mm) from finish jamb. Tighten track stops **C** to track with adjustment wrench **E**.
- Attach 2021 door plate 1-3/4" (44mm) from edge of door to edge of plate.
- Reconnect 2020 Hanger to 2021 door plate. Installation complete.
- Test operation. Slowly close door, ensuring door contacts strike jamb. If not, slide door away and loosen track stop **C** screws and reposition until door contacts strike jamb. Once confirmed, begin using door normally.





**Bidirectional Soft Operation** ◀◀ *SOFT-Operation* ▶▶ (door soft operates in both directions):

1. If door is already installed, disconnect 2020 door hangers from 2021 door plates and remove door.
2. Remove 2020 hangers from track. If 2020 hangers cannot be removed through end of track, take track down.
3. Set dampener triggers to engaged position **BEFORE** installing into track. **FAILURE TO FOLLOW THIS STEP CAN RESULT IN COMPONENT DAMAGE.**
4. Insert two dampeners **A** into track(1), dampener triggers away from track center then slide both dampeners towards center of track(2).
5. Reinstall 2021 hanger into track, connection points towards dampener **A**, reinstall track if necessary.
6. Connect 2020 hangers to dampeners **A** with connection pin **D**.
7. Insert actuator arm **B** into track stop **C**.
8. Insert track stop **C** with actuator arm **B** into track and position **3/16" (4.8mm)** from finish jamb then tighten track stop **C** to track with adjustment wrench **E**.
9. Attach 2021 Door Plate 1-3/4" (44mm) from edge of door.
10. Connect 2020 hanger to 2021 door plate.
11. Installation complete, test operation.

